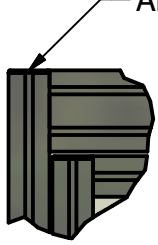
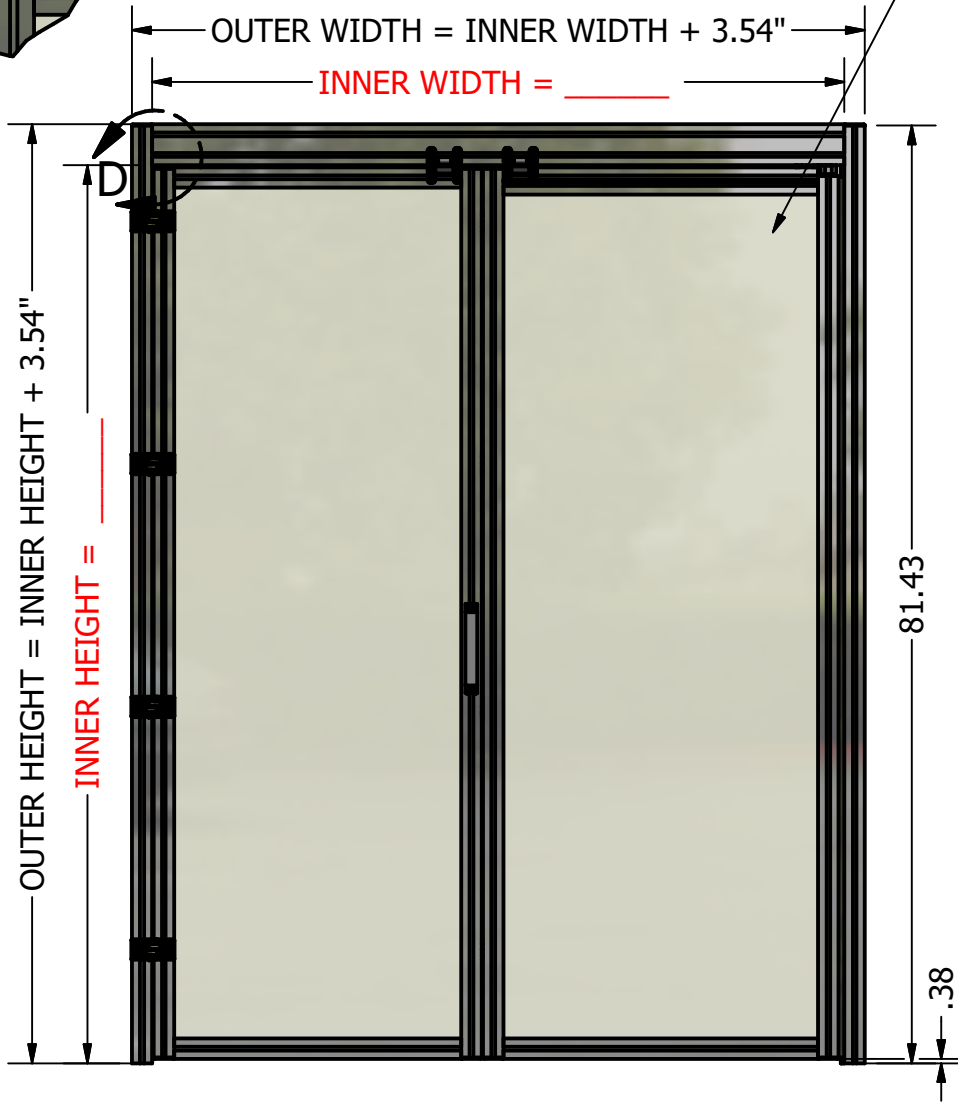


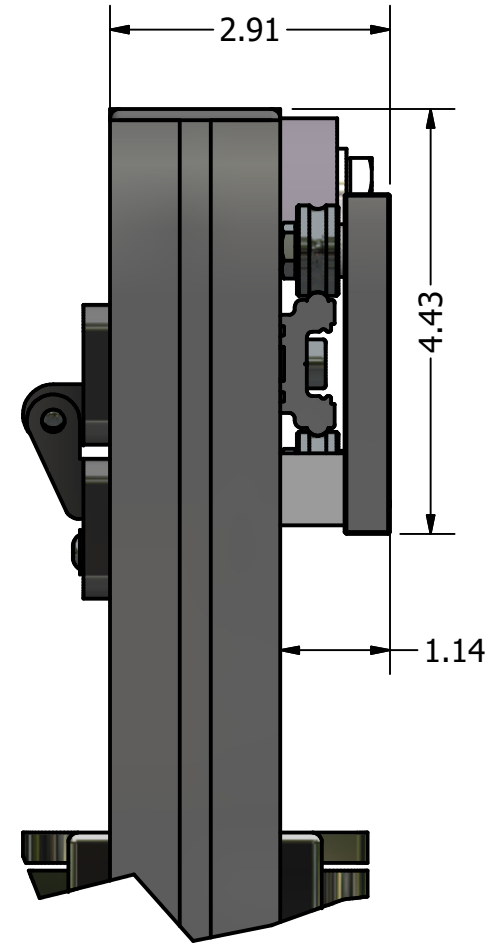
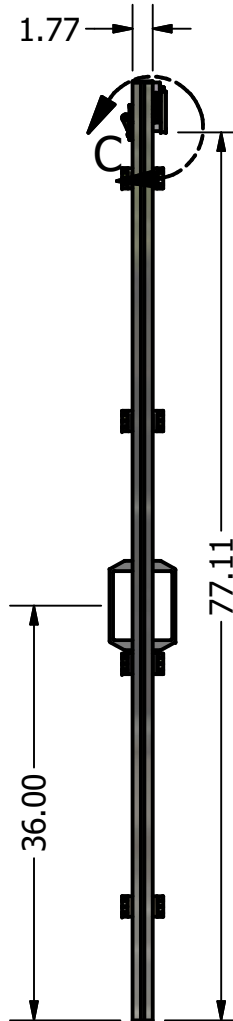
ALL END CAPS ON SYSTEM ARE FLUSH



DETAIL D
SCALE 0.12 : 1



CLEAR POLYCARBONATE WINDOWS 1/4" THICK OR SPECIFY



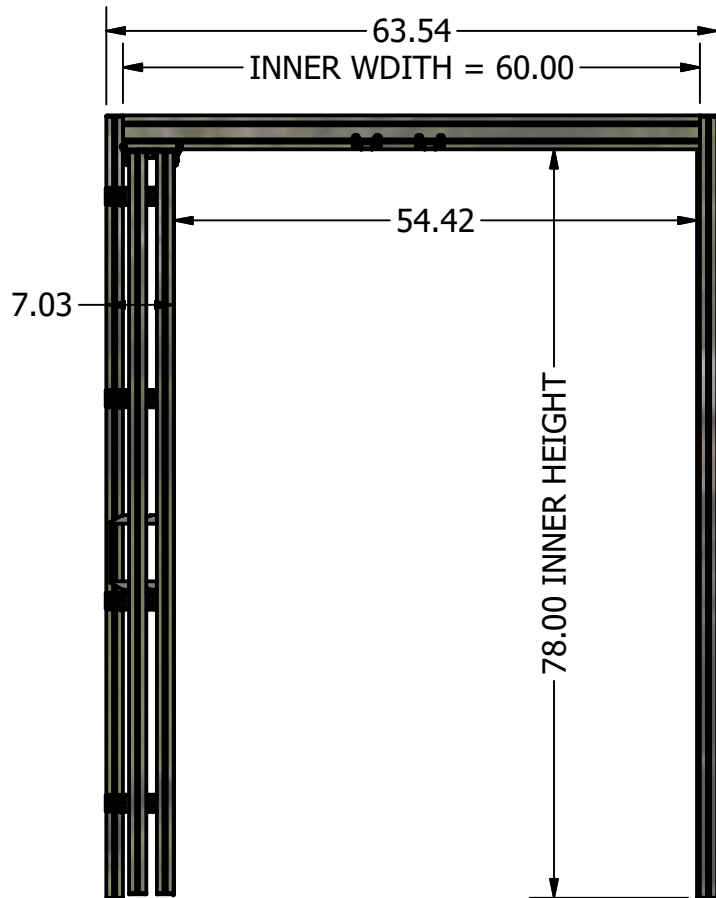
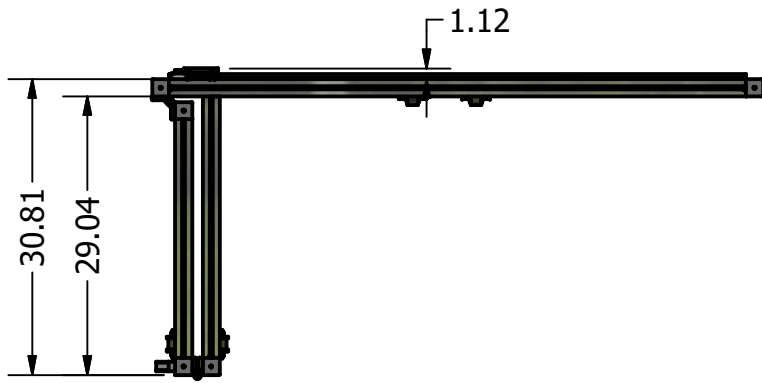
DETAIL C
SCALE .5

DRAWING APPROVED FOR PRODUCTION BY: _____ DATE _____ APPROVED REVISE & RESUBMIT

APPROVED WITH CHANGES REJECTED

PROJECT SP011920-1 BIFOLD DOOR WITHOUT BOTTOM GUIDE CUSTOMER: FARMINGTON, NY		CUSTOMER: FARMINGTON, NY	
DRAWN BY ANDY MOLES		DIRECT # (585) 433-8404	
DATE 1/21/2021		FX # (585) 924-4821	
DRAWN FOR MINITEC ASSY LIBRARY		SALES ORDER # BIFOLD DOOR WITHOUT BOTTOM GUIDE	DWG NO SP011920-1
TOLERANCES UNLESS OTHERWISE NOTED X +/- .020" XX +/- .010" XXX +/- .005"		MATERIAL	REV
FINISH		SHEET 1 OF 8	

DIMENSIONS SHOWN FOR A 60"W X 78"T DOOR

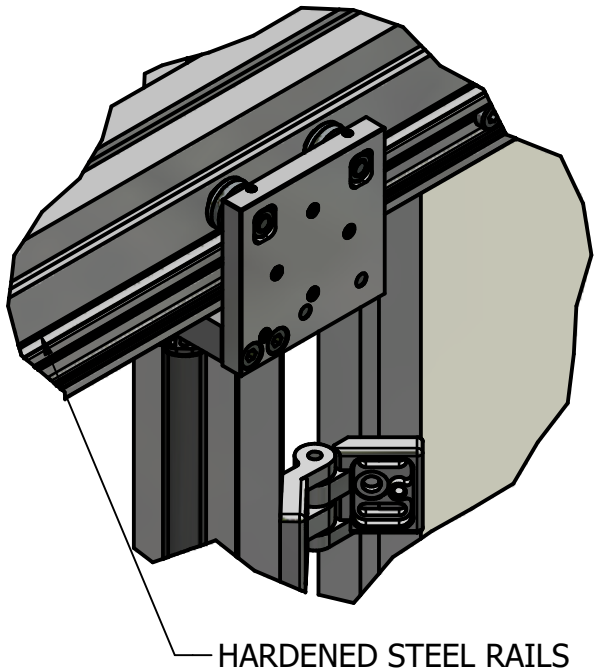


APPROVAL INITIALS:

PRE-MILL INSPECTION

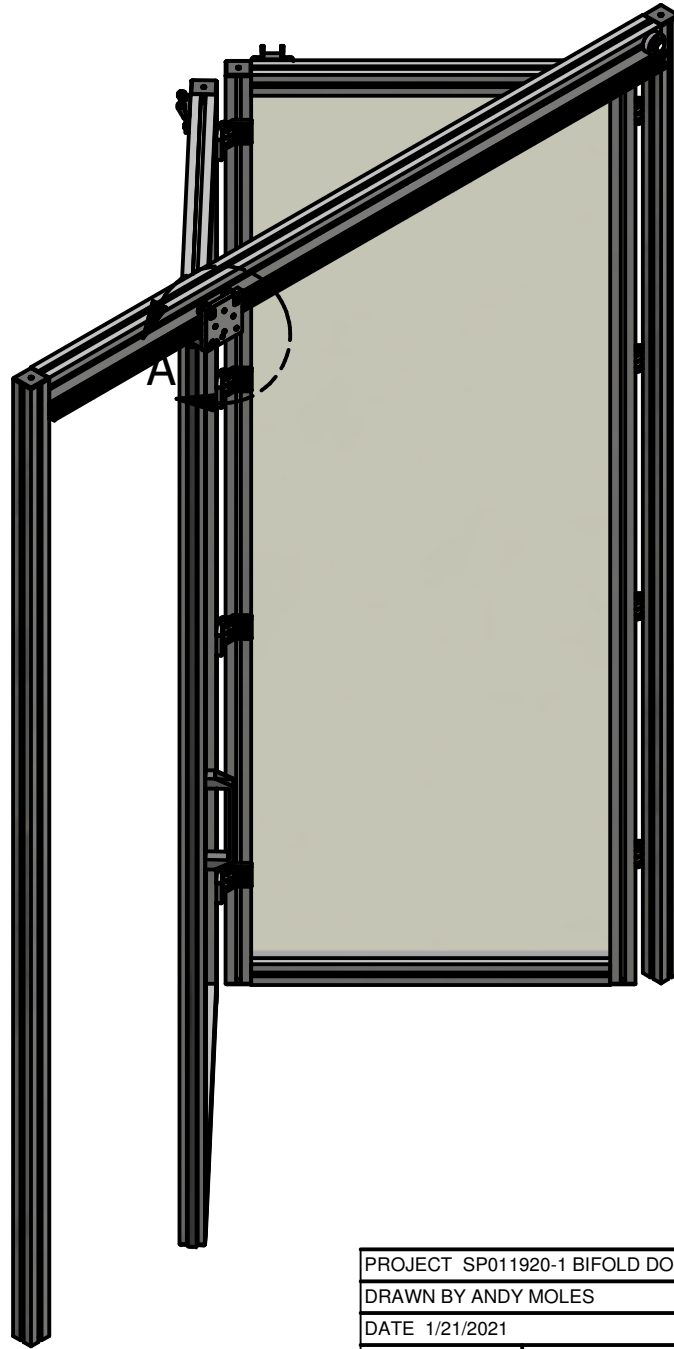
PROFILE ___ MITER ANGLE ___
 LENGTH ___ MITER DIR. ___

PROJECT SP011920-1 BIFOLD DOOR WITHOUT BOTTOM GUIDE CUSTOMER: MING.COM FARMINGTON, NY			
DRAWN BY ANDY MOLES			
DATE 1/21/2021		DWG NO	
DRAWN FOR MINITEC ASSY LIBRARY		SALES ORDER # BIFOLD DOOR WITHOUT BOTTOM GUIDE	
		SP011920-1	
TOLERANCES UNLESS OTHERWISE NOTED X +/- .020" XX +/- .010" XXX +/- .005"		MATERIAL	
		FINISH	
			REV
			SHEET 2 OF 8



HARDENED STEEL RAILS

DETAIL A
SCALE .3



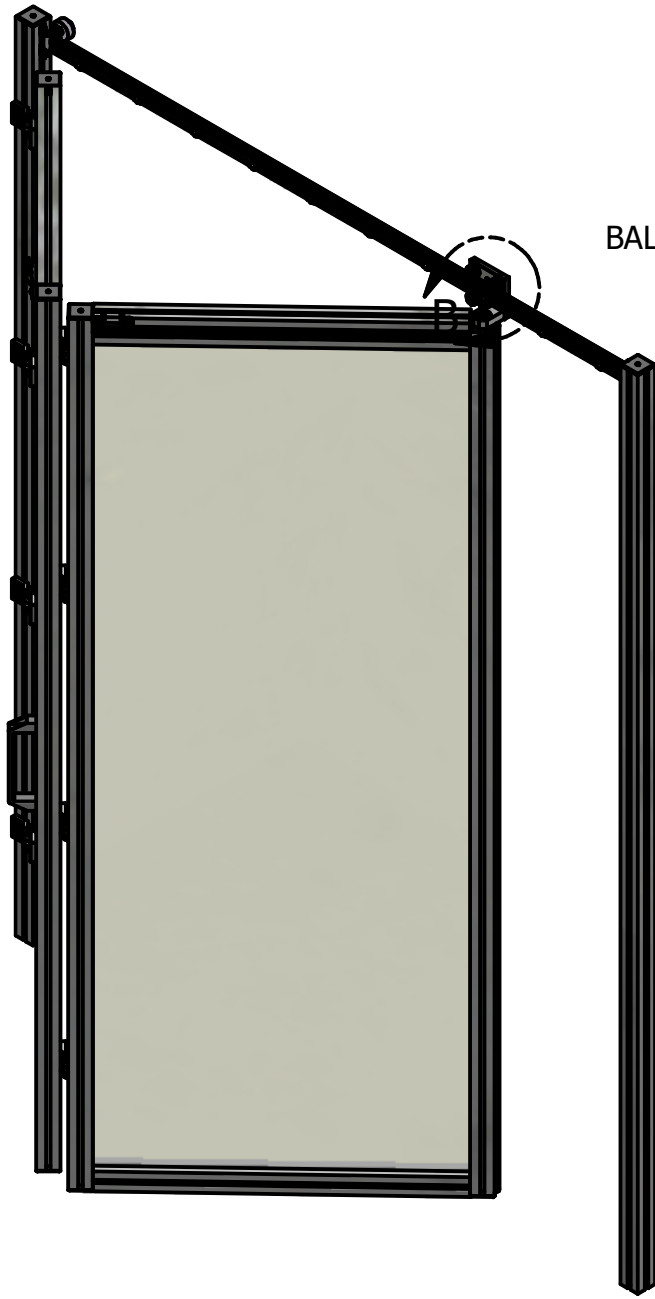
DRAWING APPROVED FOR PRODUCTION BY: _____ DATE _____ APPROVED REVISE & RESUBMIT

APPROVED WITH CHANGES REJECTED

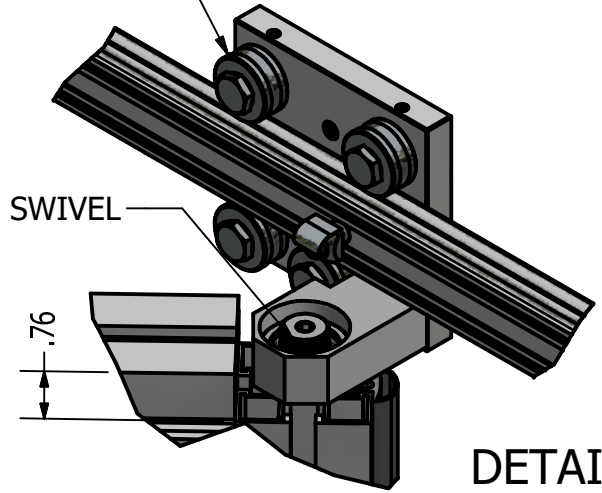
PROJECT SP011920-1 BIFOLD DOOR WITHOUT BOTTOM GUIDE		CUSTOMER: MING.COM FARMINGTON, NY	
DRAWN BY ANDY MOLES		DIRECT # (585) 433-8404 FX # (585) 924-4821 amoles@minitecframing.com	
DATE 1/21/2021		minitec Framing Systems, LLC	
DRAWN FOR MINITEC ASSY LIBRARY	SALES ORDER # BIFOLD DOOR WITHOUT BOTTOM GUIDE	DWG NO SP011920-1	REV
TOLERANCES UNLESS OTHERWISE NOTED X +/- .020" XX +/- .010" XXX +/- .005"	MATERIAL	FINISH	
			SHEET 3 OF 8

SHOWN WITHOUT TOP RAIL

TRACK ROLLER BALL BEARING LINEAR GUIDE



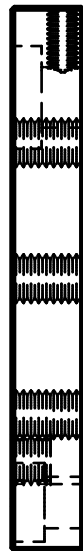
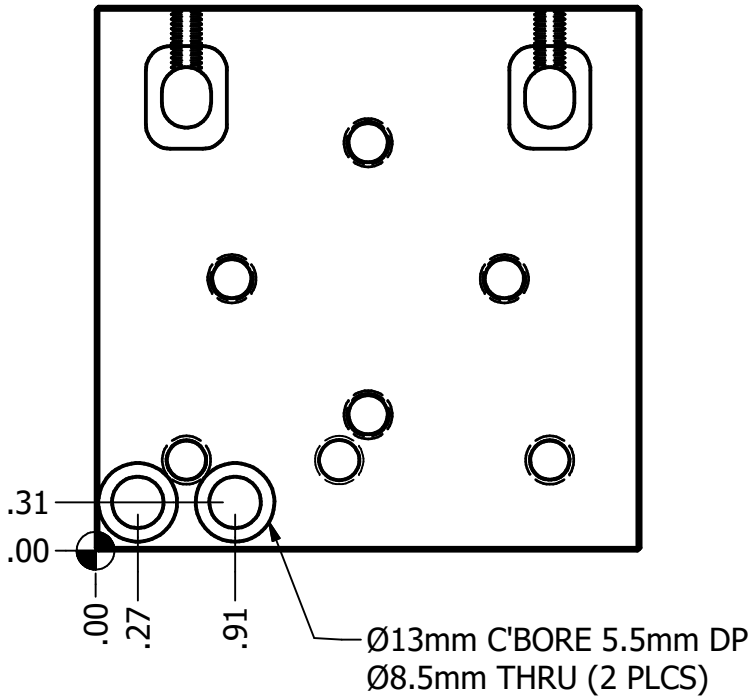
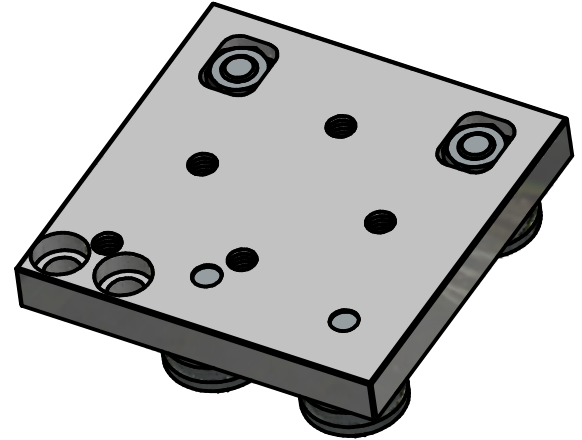
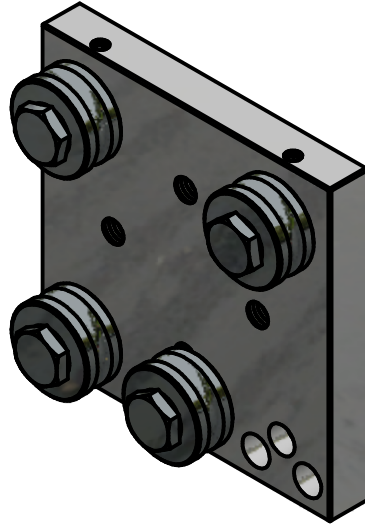
BALL BEARING SWIVEL



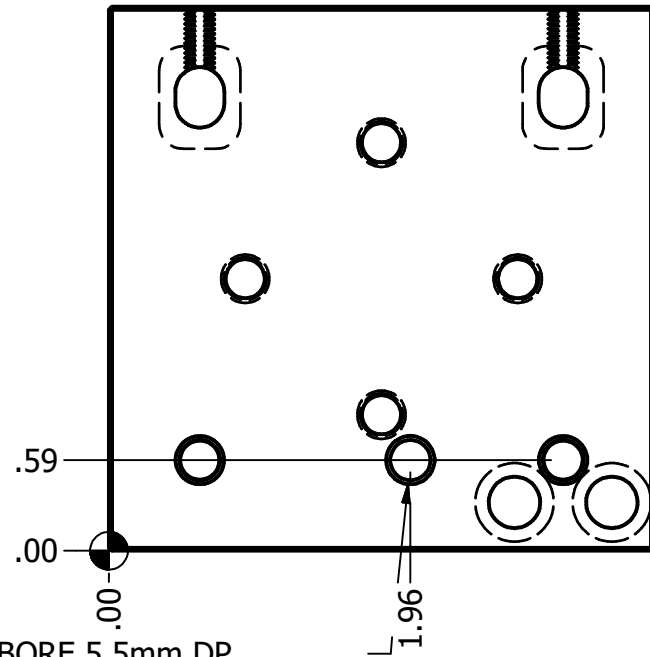
DETAIL B
SCALE .4

DRAWING APPROVED FOR PRODUCTION BY: _____ DATE _____ APPROVED REVISE & RESUBMIT
 _____ APPROVED WITH CHANGES REJECTED

PROJECT SP011920-1 BIFOLD DOOR WITHOUT BOTTOM GUIDE CUSTOMER: [REDACTED]@MINITEC.COM		FARMINGTON, NY	
DRAWN BY ANDY MOLES		DIRECT # (585) 433-8404	
DATE 1/21/2021		FX # (585) 924-4821	
DRAWN FOR MINITEC ASSY LIBRARY		SALES ORDER # BIFOLD DOOR WITHOUT BOTTOM GUIDE	DWG NO SP011920-1
TOLERANCES UNLESS OTHERWISE NOTED X +/- .020" XX +/- .010" XXX +/- .005"		MATERIAL	REV
		FINISH	SHEET 4 OF 8



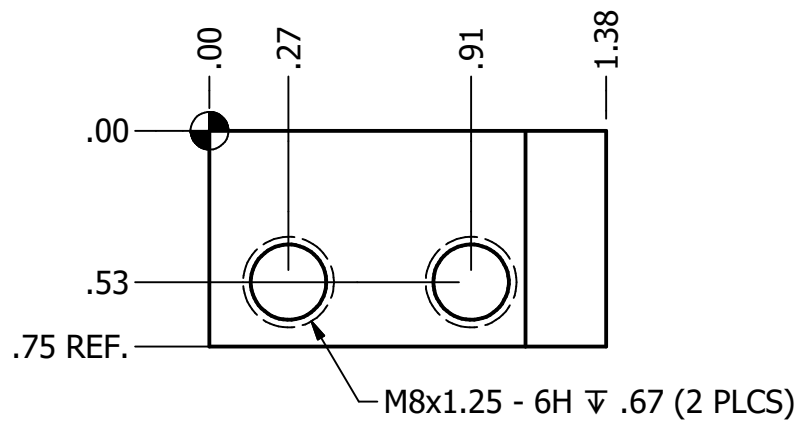
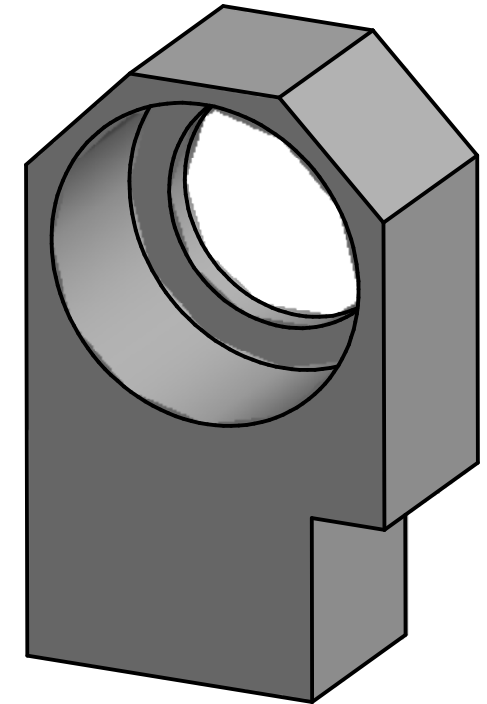
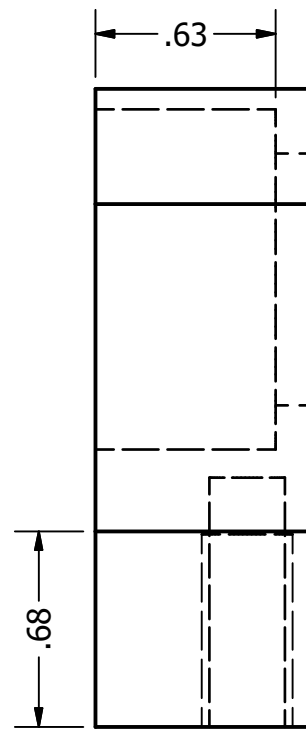
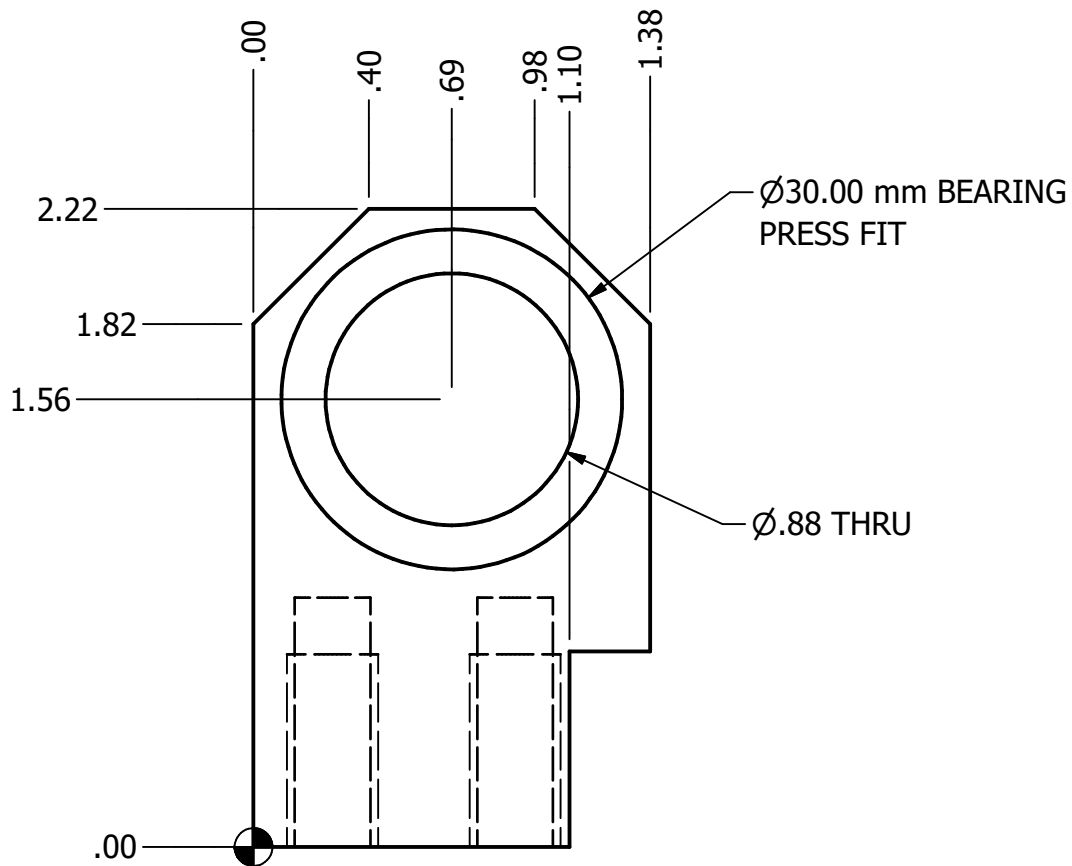
Ø8.0 mm C'BORE 5.5mm DP
DRILL & TAP M8X1.25 THRU (1 PLCS)



DRAWING APPROVED FOR PRODUCTION BY: _____ DATE _____ APPROVED REVISE & RESUBMIT

APPROVED WITH CHANGES REJECTED

PROJECT SP011920-1 BIFOLD DOOR WITHOUT BOTTOM GUIDE CUSTOMER: FARMINGTON, NY		minitec Framing Systems, LLC		CUSTOMER: FARMINGTON, NY	
DRAWN BY ANDY MOLES		DIRECT # (585) 433-8404		FX # (585) 924-4821	
DATE 1/21/2021		amoles@minitecframing.com			
DRAWN FOR MINITEC ASSY LIBRARY		SALES ORDER # BIFOLD DOOR WITHOUT BOTTOM GUIDE		DWG NO SP011920-1-1	
TOLERANCES UNLESS OTHERWISE NOTED X +/- .020" XX +/- .010" XXX +/- .005"		MATERIAL 28.0239 SLIDE LR6 PLATE		FINISH	
				SHEET 5 OF 8	

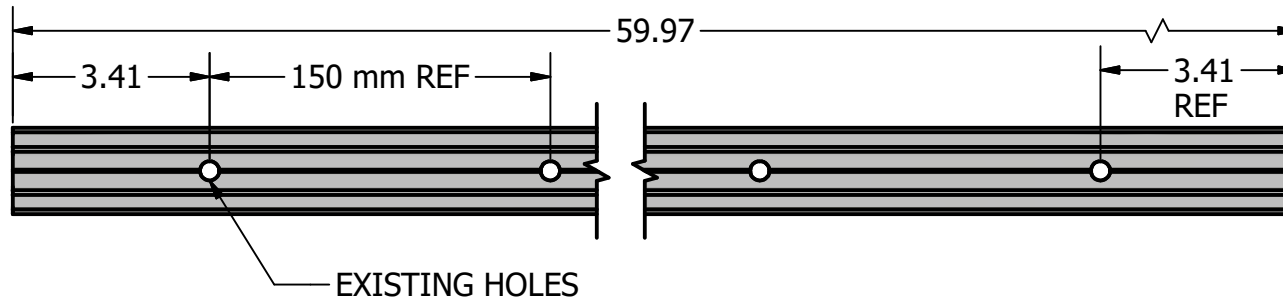
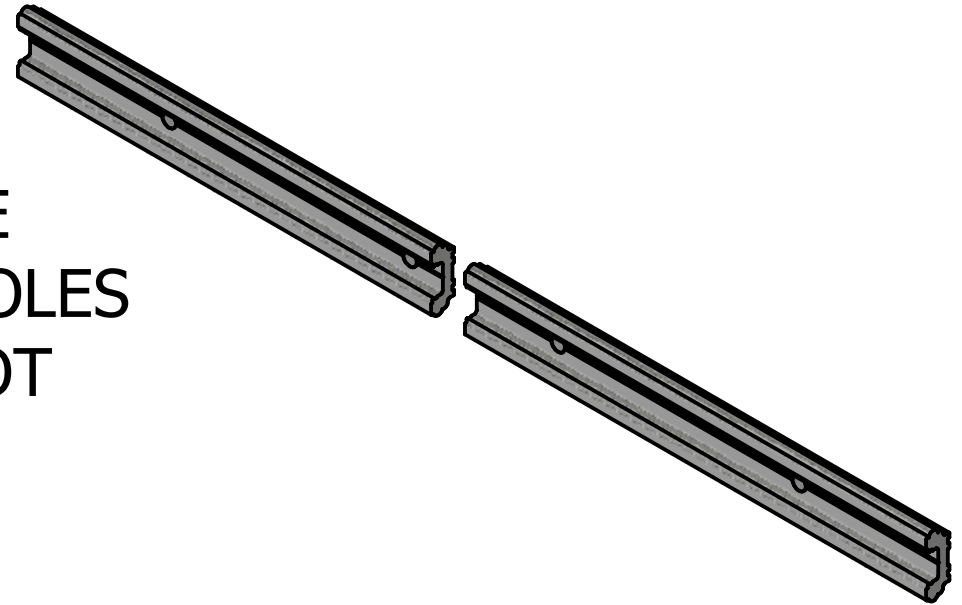


DRAWING APPROVED FOR PRODUCTION BY: _____ DATE _____ APPROVED REVISE & RESUBMIT

APPROVED WITH CHANGES REJECTED

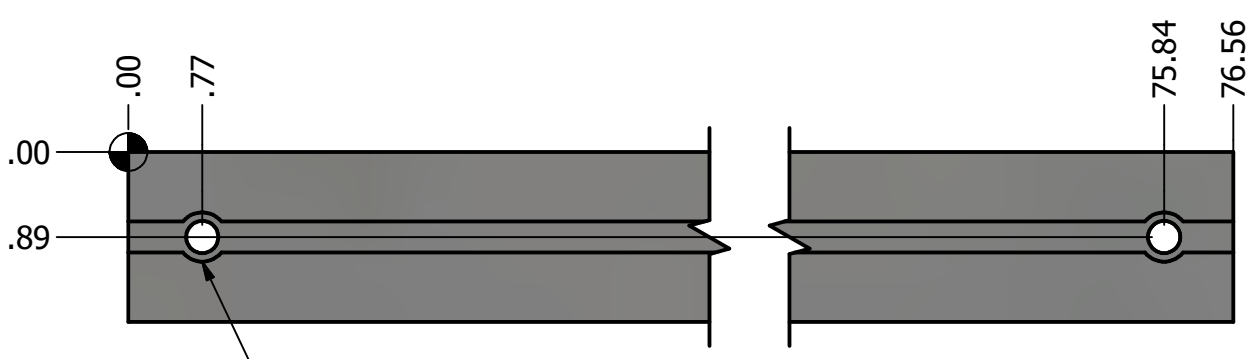
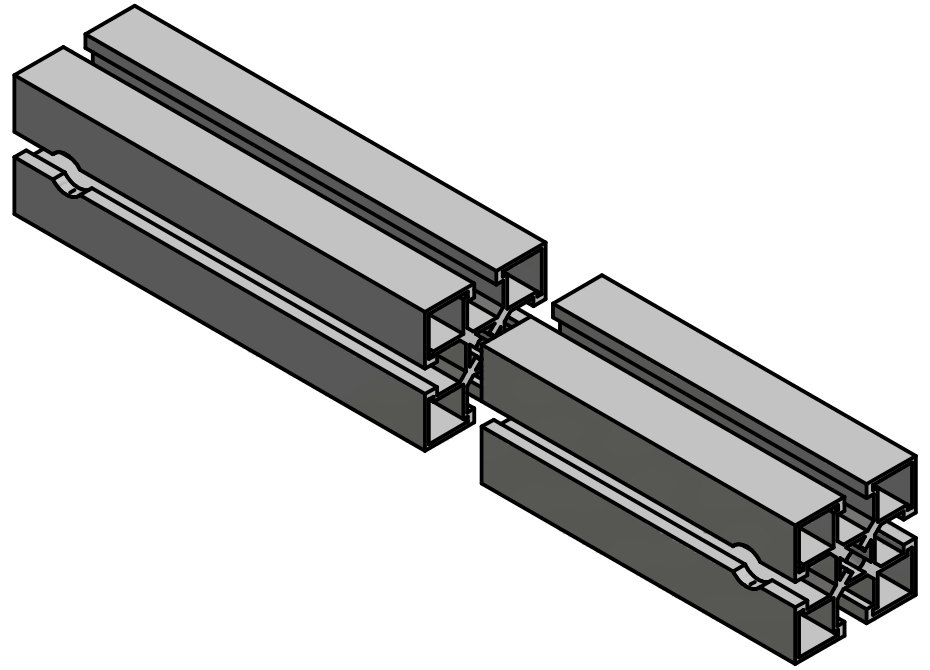
PROJECT SP011920-1 BIFOLD DOOR WITHOUT BOTTOM GUIDE CUSTOMER: FARMINGTON, NY		DRAWN BY ANDY MOLES	
DATE 1/21/2021		SALES ORDER # BIFOLD DOOR WITHOUT BOTTOM GUIDE	
DRAWN FOR MINITEC ASSY LIBRARY		DWG NO SP011920-1-2	
TOLERANCES UNLESS OTHERWISE NOTED X +/- .020" XX +/- .010" XXX +/- .005"		MATERIAL ALUMINUM	
FINISH		SHEET 6 OF 8	

OTHER HOLE PATTERNS ARE ACCEPTABLE AS LONG AS HOLES ARE GREATER THAN 1" & NOT MORE THAN 4" FROM ENDS

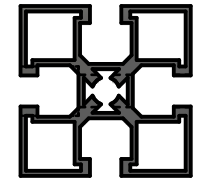


DRAWING APPROVED FOR PRODUCTION BY: _____ DATE _____ APPROVED REVISE & RESUBMIT
 _____ APPROVED WITH CHANGES REJECTED

PROJECT SP011920-1 BIFOLD DOOR WITHOUT BOTTOM GUIDE		CUSTOMER: MITEC FRAMING, INC. FARMINGTON, NY	
DRAWN BY ANDY MOLES		DIRECT # (585) 433-8404 FX # (585) 924-4821 amoles@minitecframing.com	
DATE 1/21/2021		Minitec Framing Systems, LLC	
DRAWN FOR MINITEC ASSY LIBRARY	SALES ORDER # BIFOLD DOOR WITHOUT BOTTOM GUIDE	DWG NO SP011920-1-3	REV
TOLERANCES UNLESS OTHERWISE NOTED X +/- .020" XX +/- .010" XXX +/- .005"		MATERIAL 28.0525 LINEAR RAIL LR6 S	
FINISH		SHEET 7 OF 8	



Ø13mm C'BORE TO SLOT BOTTOM
Ø8.5mm THRU (2 PLCS)



DRAWING APPROVED FOR PRODUCTION BY: _____ DATE _____ APPROVED REVISE & RESUBMIT
 _____ APPROVED WITH CHANGES REJECTED

PROJECT SP011920-1 BIFOLD DOOR WITHOUT BOTTOM GUIDE		CUSTOMER: MITEC FRAMING, INC. FARMINGTON, NY	
DRAWN BY ANDY MOLES		DIRECT # (585) 433-8404	
DATE 1/21/2021		FX # (585) 924-4821	
DRAWN FOR MINITEC ASSY LIBRARY		SALES ORDER # BIFOLD DOOR WITHOUT BOTTOM GUIDE	DWG NO SP011920-1-4
TOLERANCES UNLESS OTHERWISE NOTED X +/- .020" XX +/- .010" XXX +/- .005"		MATERIAL 20.1063 PROFILE 45X45 UL	REV
FINISH CLEAR ANODIZED		SHEET 8 OF 8	